

ZTF 型可调阻尼弹簧减震器安装说明

ZTF spring isolator installation guide

安装前，请确认弹簧减震器的型号规格是否正确。
 Before installation, make sure the model and the specification are correct.

安装说明

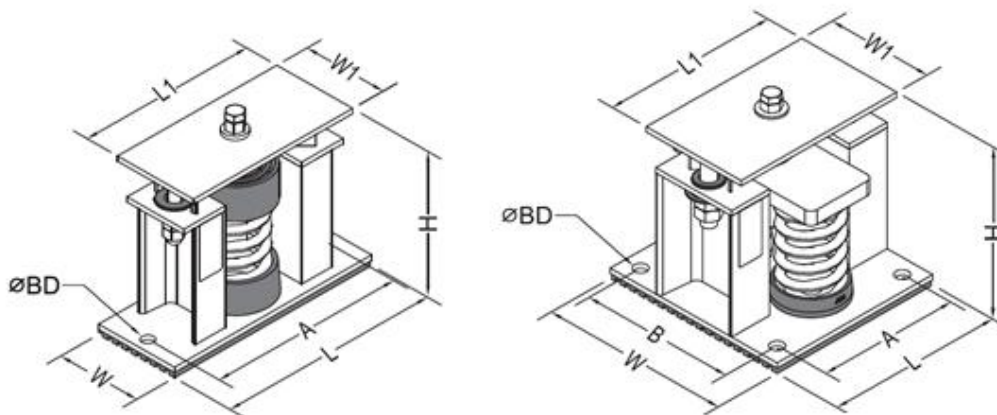
Installation guide

所需工具：公制口径 19mm (M12)、24mm (M16)、32mm (M22) 开口扳手、爪式千斤顶。
 Required tools: 19mm (M12), 24mm (M16) and 32mm (M22) open wrenches and claw jack.
 在未完成减震器高度调整前，请勿将减震器的压垫取出。
 Before completing the adjustment of the isolator, do not remove the pressure pad from the isolator.

请先根据基础螺栓固定孔的位置，与安装位置预埋基础螺栓。
 Embed foundation bolt according to the location of bolt-loaded holes.

弹簧减震器安放到安装位置后，先将定位柳钉拿掉。（如图 1）
 Remove quilting rivet after installing the isolator (Fig 1) .

以 M12 固定螺栓将减震器与设备固定，但不锁紧。（如图 2）
 Fasten the isolator and the equipment with M12 fixed bolt without locking it (Fig 2).
 将减震器利用基础螺栓固定到地面上，并以临时木台固定高度。
 Fasten the isolator with foundation bolt on the ground and fix the height with wooden panel.



规格	外形尺寸 (mm)							固定螺栓	ØBD
	L	W	L1	W1	A	B	H		
ZTF-1	260	100	210	100	230	0	200	12	13
ZTF-2	235	220	235	140	195	180	200	14	13
ZTF-4	320	165	320	165	290	90	200	14	13
ZTF-6	400	170	400	170	370	90	200	18	13
ZTF-9	420	250	420	250	384	180	200	18	13

*B 值为 0 表孔中心在 W/2

挠度可定制 40mm、50mm、75mm、100mm、125mm、150mm

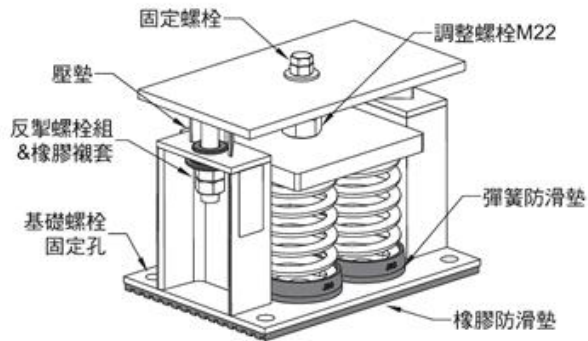
P1

..... TS 压力管道生产许可: TS2731B90-2020

ADD: No.699,Caosheng Road, Shanghai WEB: <http://www.songjiangjitian.com>

型号/规格	载荷范围 (kg)	竖向刚度 (kg/mm)	适用挠度 (mm)
ZTF-1-100	80~120	4	25
ZTF-1-150	120~180	6	25
ZTF-1-200	160~240	8	25
ZTF-1-250	200~300	10	25
ZTF-1-300	240~360	12	25
ZTF-1-350	280~420	14	25
ZTF-1-400	320~480	16	25
ZTF-1-450	360~540	18	25
ZTF-1-500	400~600	20	25
ZTF-1-600	480~720	24	25
ZTF-1-700	560~840	28	25
ZTF-1-850	680~1020	34	25
ZTF-1-1000	800~1200	40	25
ZTF-1-1200	960~1440	48	25
ZTF-2-600	480~720	24	25
ZTF-2-800	640~960	32	25
ZTF-2-900	720~1080	36	25
ZTF-2-1000	800~1200	40	25
ZTF-2-1200	920~1440	48	25
ZTF-2-1400	1120~1680	56	25
ZTF-2-1600	1280~1920	64	25
ZTF-2-2000	1600~2400	80	25
ZTF-4-600	480~720	24	25
ZTF-4-800	640~960	32	25
ZTF-4-1000	800~1200	40	25
ZTF-4-1200	960~1440	48	25
ZTF-4-1400	1120~1680	56	25
ZTF-4-1600	1280~1920	64	25
ZTF-4-2000	1600~2400	80	25
ZTF-4-2400	1920~2880	96	25
ZTF-4-2800	2240~3360	112	25
ZTF-4-3200	2560~3840	128	25
ZTF-4-4000	3200~4800	160	25
ZTF-4-4800	3840~5760	192	25
ZTF-6-3600	2880~4320	144	25
ZTF-6-4200	3360~5040	168	25
ZTF-6-5000	4000~6000	200	25
ZTF-6-6000	4800~7200	240	25
ZTF-6-7200	5760~8640	288	25
ZTF-9-4500	3600~5400	180	25

ZTF-9-5400	4320~6480	216	25
ZTF-9-6300	5040~7560	252	25
ZTF-9-7200	5760~8640	288	25
ZTF-9-9000	7200~10800	360	25
ZTF-9-10800	8640~12960	432	25



调整弹簧减震器高度时先松掉两边的反擊螺帽 5~10mm ， 並相对锁紧。（如图 3 ）

Loosen the nuts on both sides for 5~10mm first before adjusting height of the isolator and lock them afterwards (Fig 3).

使用公制口径 32mm 开口扳手以逆时针方向调整 M22 螺栓，使弹簧受力下压、弹簧减震器上盖铁上升。（如图 4 ）

Adjust M22 adjustment bolt in the anti-clockwise direction with 32mm open wrench to press down the spring and to raise the iron sheet (Fig 4).

调整至压垫可取出时，即可停止调整并取出木台。（如图 5 ）

Adjustment can be stopped and wooden panel can be removed once you can take out the pressure pad (Fig 5).

将与设备固定之 M12 螺栓完全锁紧，即完成安装调整。（如图 6 ）

After the adjustment, lock the isolator with M12 fixed bolt (Fig 6).

安装后请检查弹簧之下压量，如弹簧压实表示荷重不足没有避震效果。应予更换较大荷重之规格，并请联系本公司人员。

After the adjustment, check the press amount of the spring. If it appears with insufficient loading, please replace with bigger loading by contacting our staff.

安装时，请注意安全。

Be cautious during the installation.

保养点检项目：每月观察固定螺栓与基础螺栓保持锁紧、保持避震器安装状态&弹簧下压挠度正常。

Maintenance checking points: Check the mounting bolts, remain fixed bolt locked, installation of the isolator, and the deflection of the spring.

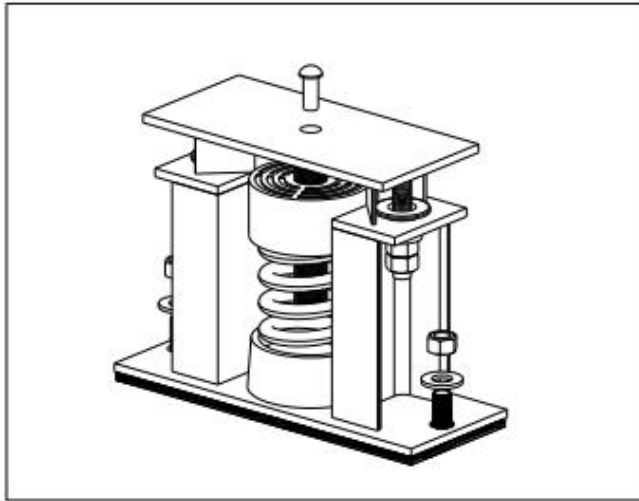


图 1) 将定位柳丁取出，並以木台固定高度。

Fig 1) Remove quilting rivet and fix the height with wooden panel.

图 2) 以 M12 螺栓将弹簧减震器与设备固定，但不锁紧；同时以基础螺栓将弹簧减震器固定。

Fig 2) Fasten the isolator and the Equipment with M12 fixed bolt without locking it. Fasten the isolator with foundation bolt

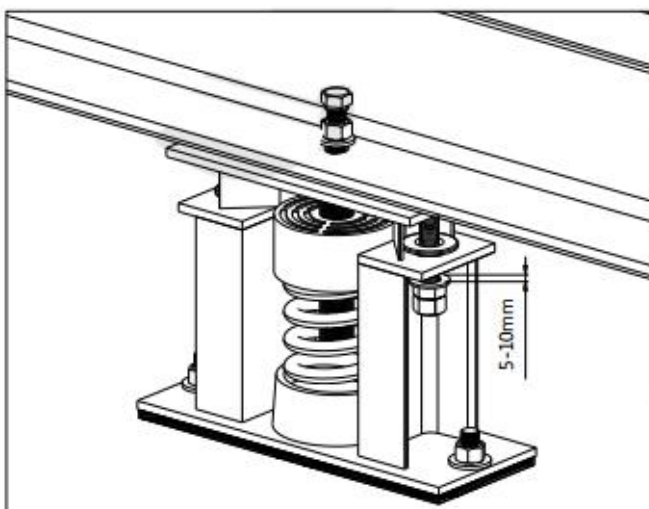
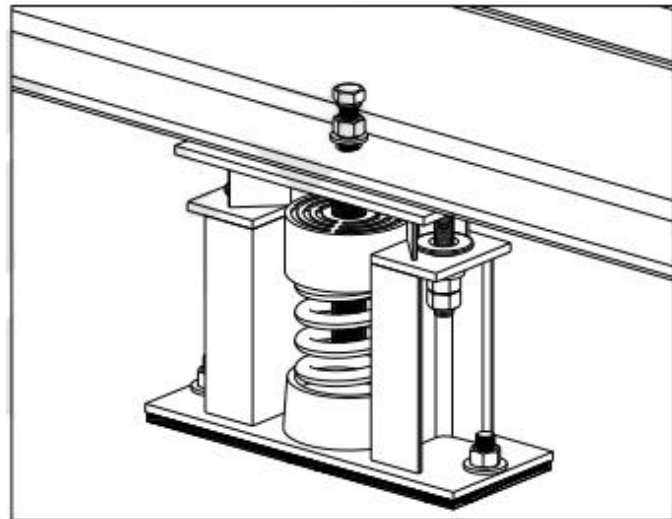


图 3) 调整弹簧减震器过度时，先松掉两边之反掣螺帽 5~10mm，并相对锁紧。

Fig 3) Loosen the nuts on both sides for 5~10mm first before adjusting height of the isolator and lock them afterwards.

图4) 使用公制开口扳手以逆时针方向调整螺栓，使弹簧下压、弹簧减震器上盖铁上升。

Fig 4) Adjust the bolt in the anticlockwise direction with open wrench to press down the spring and to raise the iron sheet

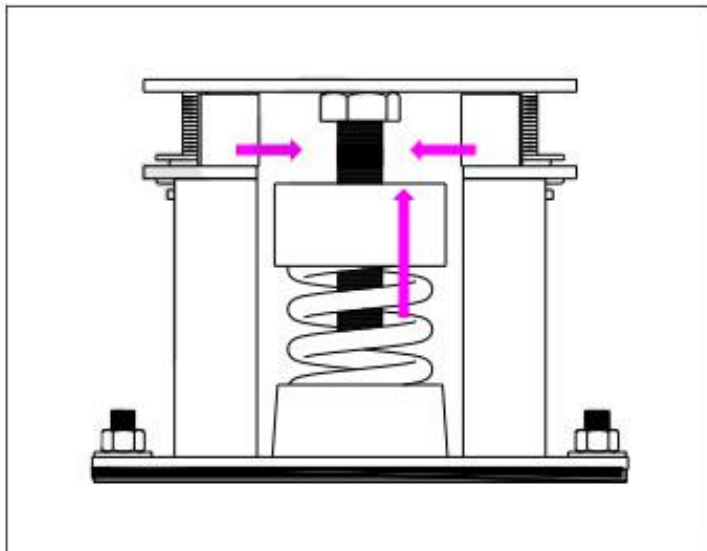
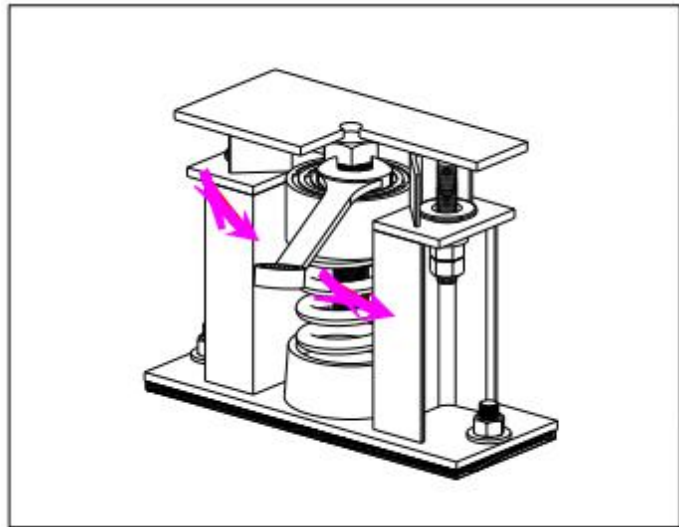


图5) 调整至弹簧减震器上盖铁升高，压垫可以取出时即可完成调整并取出木台。

Fig 5) Adjust until the iron sheet of the isolator arises. Adjustment can be stopped and wooden panel can be removed once you can take out the pressure pad.

图6) 将螺栓与设备完全锁紧后，即完成弹簧减震器安装调整。

Fig 6) After the adjustment, lock the isolator with M12 fixed bolt 5-10mm

